

COMMON MODE CHOKE COILS / CDR TYPE

FEATURES

- ◆ Wire wound constructure common mode choke with best EMI suppression effect high impedance but very high rated current and low DCR.

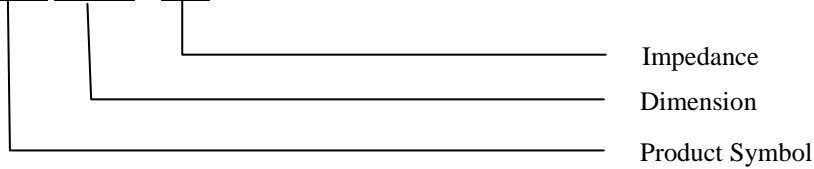
APPLICATIONS

- ◆ Preventive measure against common mode noise radiation emissions from power line or else.
- ◆ Best for high current circuit such as car, wireless charging and power device design.

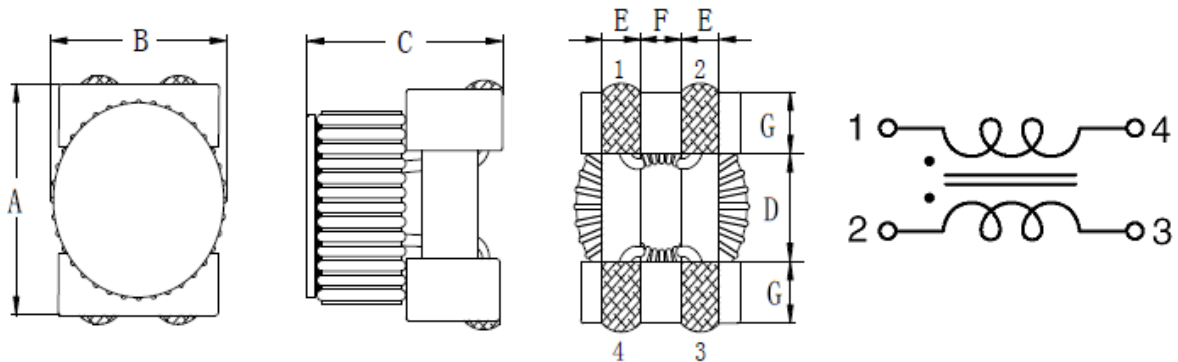


ORDERING CODE

CDR 909285 - □□□



SHAPES



DIMENSIONS (UNIT: mm)

Part No.	A	B	C	D	E	F	G
CDR909285	9.0 ± 0.5	9.2 Max	8.5 Max	5.7 Ref	1.5 Ref	2.0 Ref	1.7 Ref

CORE MASTER ENTERPRISE CO., LTD.

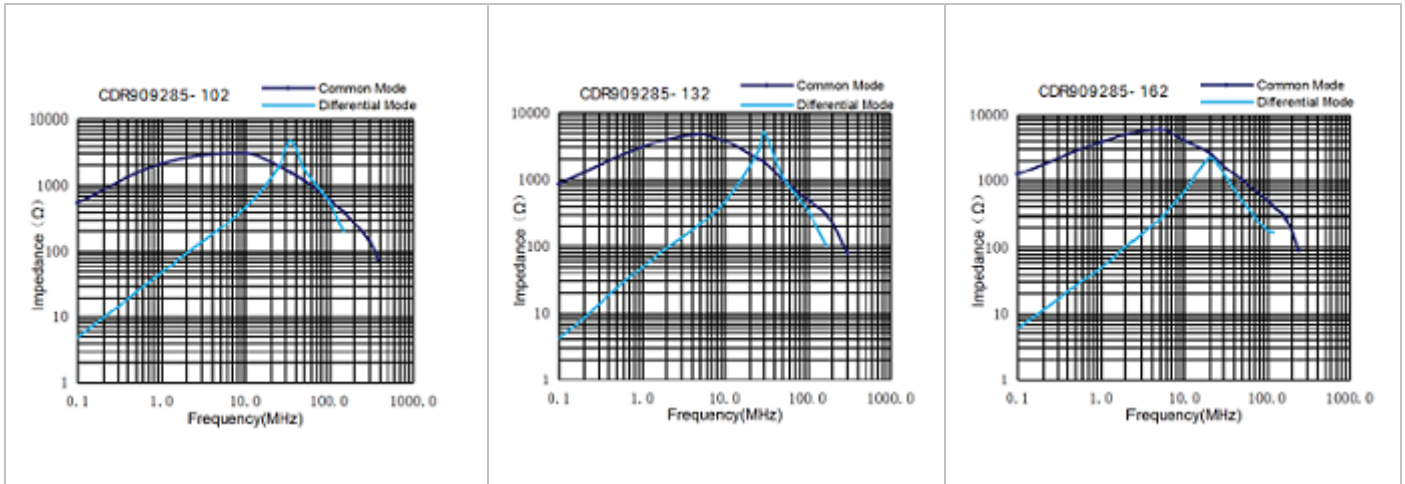


<http://www.coremaster.com.tw>

COMMON MODE CHOKE COILS / CDR TYPE

ELECTRICAL CHARACTERISTICS FOR CDR909285

Part No.	Impedance (Ω) (Ref.) N1=N2	Test Frequency	DCR (mΩ) (max)	IDC (A) (max)
CDR909285-102	1000	100KHz / 0.25V	100	2.5
CDR909285-132	1300	100KHz / 0.25V	115	2.4
CDR909285-162	1600	100KHz / 0.25V	130	2.3



CORE MASTER ENTERPRISE CO., LTD.



<http://www.coremaster.com.tw>